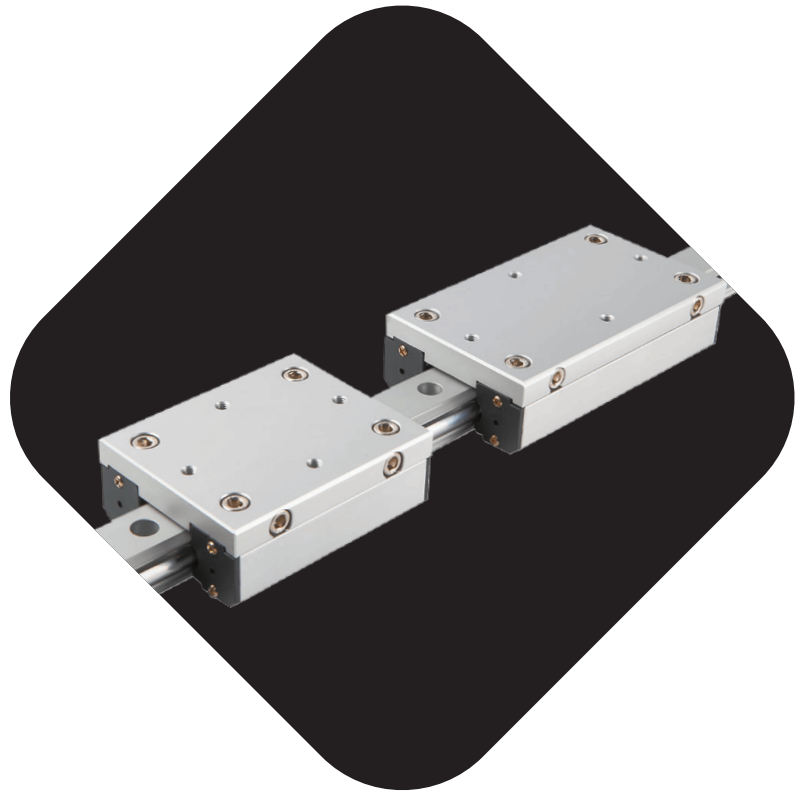


4

Cam Roller  
Linear Guide

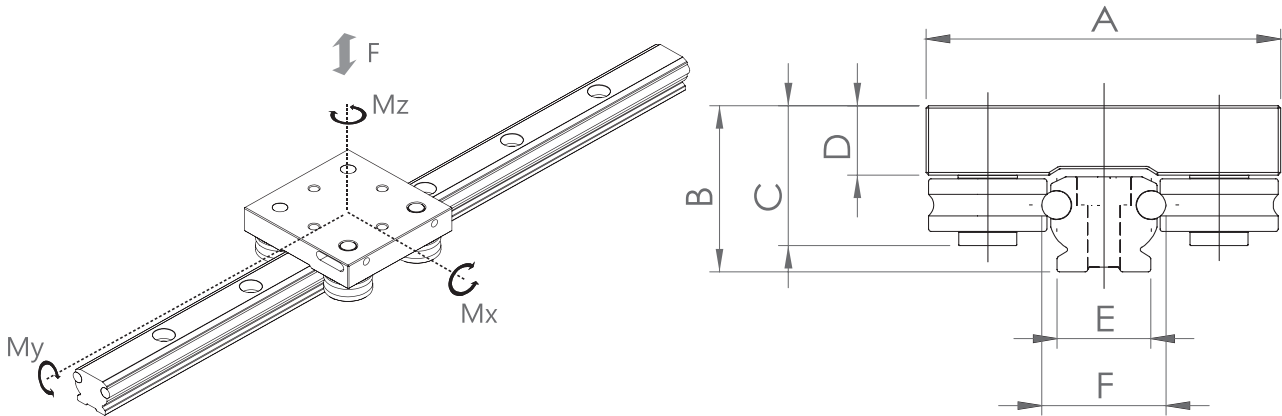
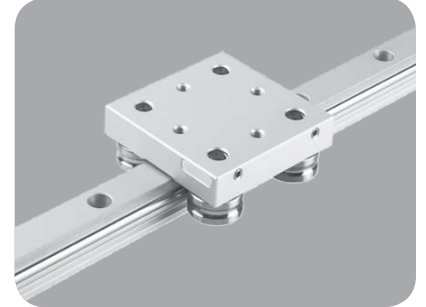


## 4.1 CRC Standard type

Ordering Key : CRC25 X 0870 - B2 (20,10)

①      ②      ③      ④

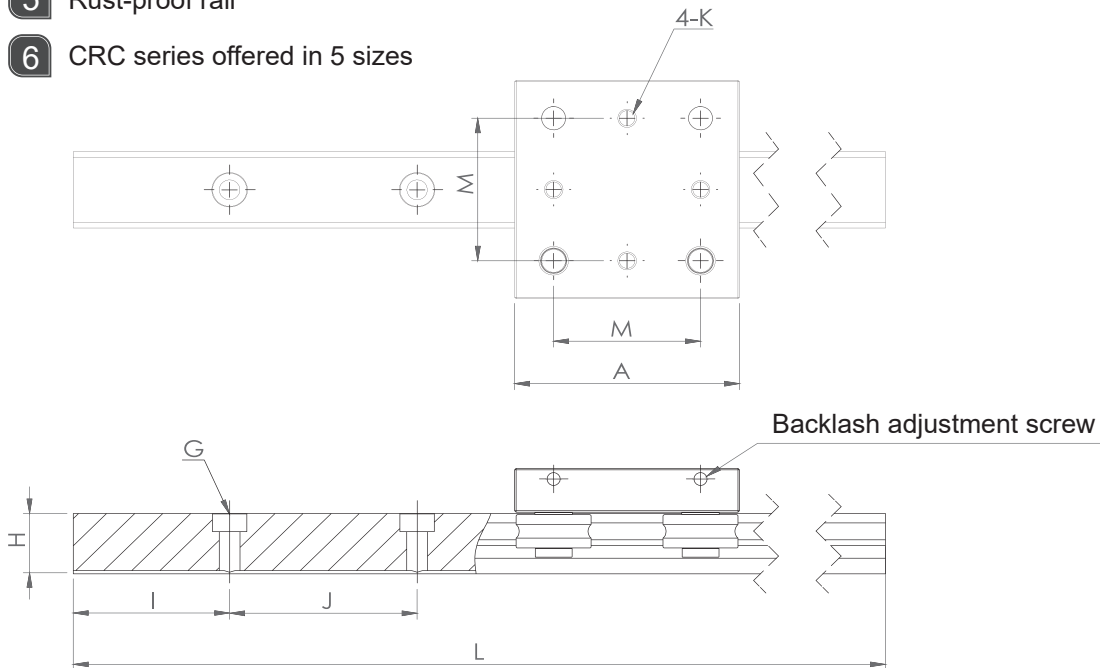
- ① Block type : CRC
- ② Rail length : 870 mm
- ③ Number of blocks : 2
- ④ End distance of screw hole : 20, 10  
( Evenly spaced on both end if not specific)



Model No.	Dimensions (mm)						Basic Load Rating (kgf)		Static Moment Load (kgf-m)		
	A	B	C	D	E	F	C	C <sub>0</sub>	M <sub>x</sub>	M <sub>y</sub>	M <sub>z</sub>
CRC 20	54	23	20.5	10.8	17	21	72	70	3.6	2.4	3.4
CRC 25	72	34	29.5	14.5	19	25	215	185	17.6	10.8	15.5
CRC 32	80	35	29.5	14.5	25	32	215	185	23	14	19.8
CRC32L	100	46	42	19.2	22	32	410	410	32	20	31.5
CRC 42	110	46	42	19.2	28	42	410	410	45.8	29	45

## Features

- 1 Block roller clearance pre-adjusted at factory
- 2 Adjustable roller clearance on block
- 3 Low noise
- 4 Lubrication not required
- 5 Rust-proof rail
- 6 CRC series offered in 5 sizes



Unit : mm

Model No.	Dimensions						
	G	H	I	J	K	L	M
CRC 20	ø4.5xø8x4.5dp	13.5	1/2J	60	M5	100-4000	36
CRC 25	ø5.7xø10x6.5dp	20	1/2J	60	M6	100-4000	47
CRC 32	ø6.6xø11.5x8dp	20	1/2J	60	M6	100-4000	54
CRC32L	ø6.6xø10.5x8dp	24.8	1/2J	60	M8	100-4000	63
CRC 42	ø9xø14x12dp	24.8	1/2J	80	M8	100-4000	73

Note: I value will be 1/2 J or evenly spaced on both end if not specific.

Standard

Ball Caged

Miniature

Cam Roller

Round Shaft

Ball Screw

Support Unit

Self-lubricated Linear Bearing

Linear Guide

Ball Screw

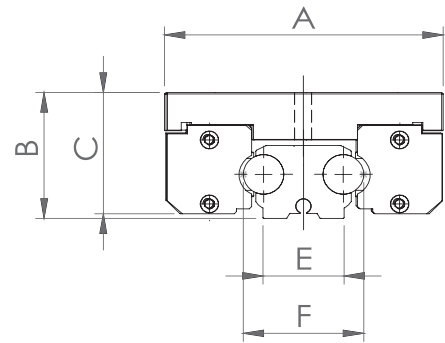
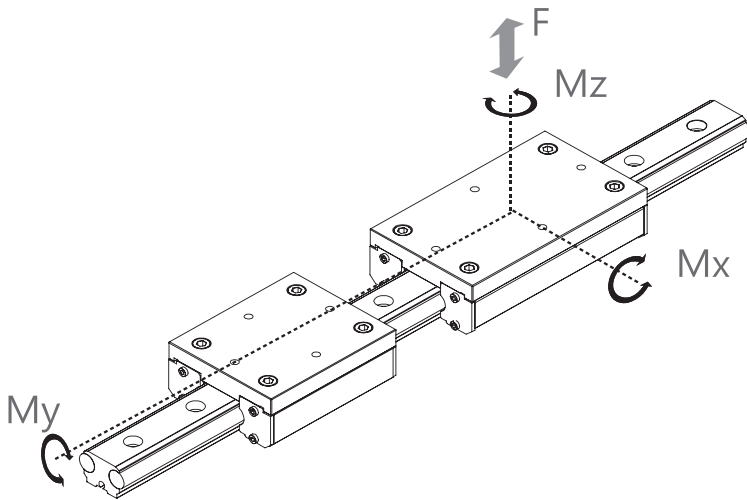
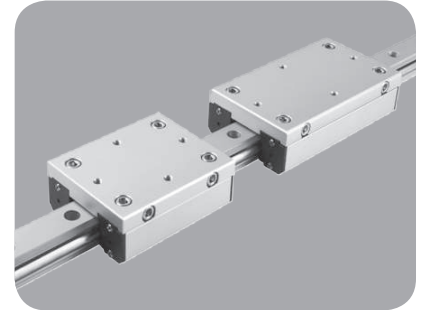
Other components

## 4.2 CRD Dust-proof type

Ordering Key : CRD12 X 0880 - B2 (20,10)

①      ②      ③      ④

- ① Block type :  
CRD12 : Standard block type  
CRD12L : Extended length block type
- ② Rail length : 880 mm
- ③ Number of blocks : 2
- ④ End distance of screw hole : 20, 10  
( Evenly spaced on both end if not specific)

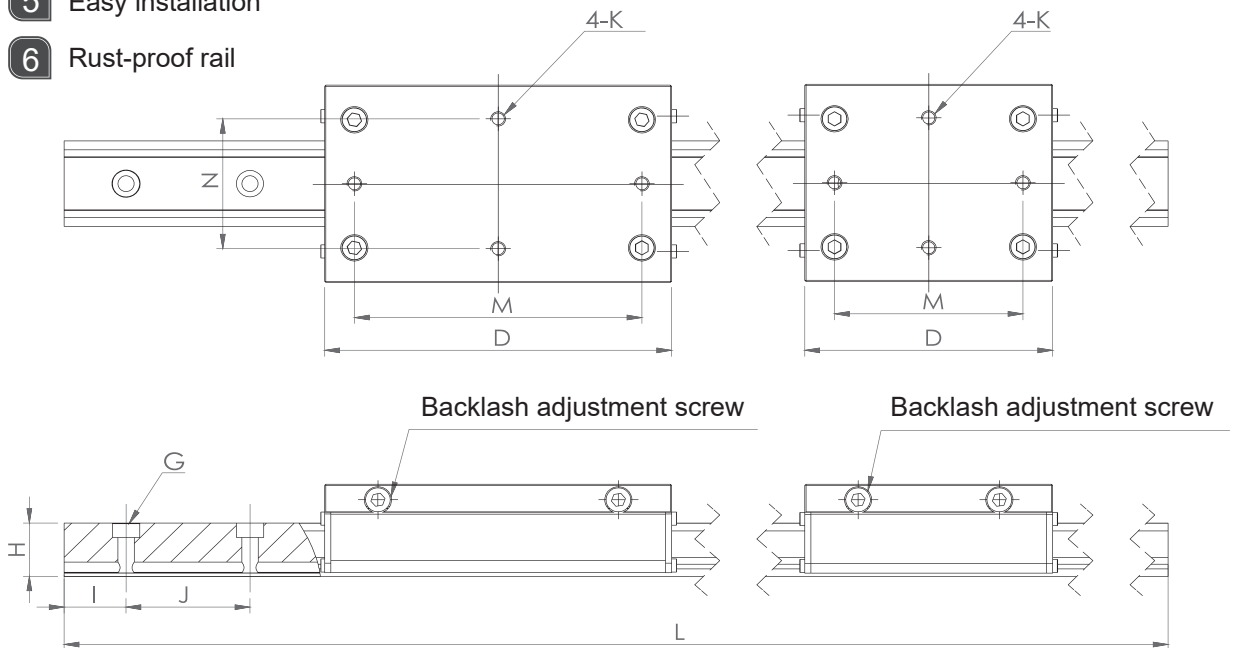


Unit : mm

Model No.	Dimensions				
	A	B	C	E	F
CRD12	82	38.5	36.5	24	36
CRD12L	82	38.5	36.5	24	36

## Features

- 1 Dust-proof block
- 2 Adjustable roller clearance on block
- 3 Low noise
- 4 Lubrication not required
- 5 Easy installation
- 6 Rust-proof rail



Unit : mm

Model No.	Dimensions								
	D	G	H	I	J	K	L	M	N
CRD12	100	ø7xø10x6	22	1/2J	50	M6	100~4000	76	54
CRD12L	140	ø7xø10x6	22	1/2J	50	M6	100~4000	116	54

**Note:** I value will be 1/2 J or evenly spaced on both end if not specific.

Model No.	Basic Load Rating (kgf)		Static Moment Load (kgf-m)			Weight	
	C	C <sub>0</sub>	M <sub>x</sub>	M <sub>y</sub>	M <sub>z</sub>	Block (kg)	Rail (kg/m)
CRD12	250	500	4	5.4	4.8	0.6	3
CRD12L	250	500	7.4	5.4	8.8	0.8	3

Standard

Ball Caged

Miniature

Cam Roller

Round Shaft

Ball Screw

Support Unit

Self-lubricated Linear Bearing

Linear Guide

Ball Screw

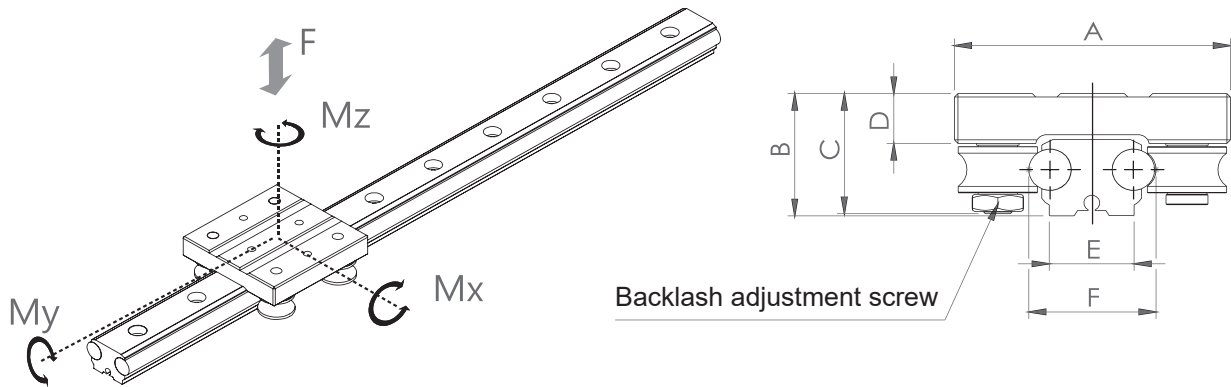
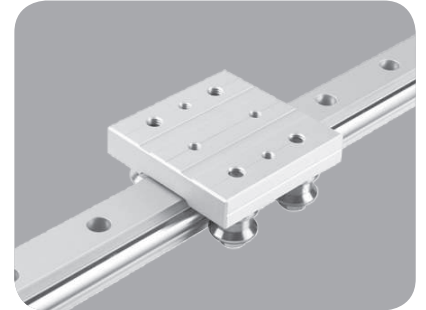
Other components

## 4.3 CRE Economic type

Ordering Key : CRE12 X 0880 - B2 (20,10)

①      ②      ③      ④

- ① Block type :  
CRE : Economic Block type
- ② Rail length : 880 mm
- ③ Number of blocks :2
- ④ End distance of screw hole : 20, 10  
( Evenly spaced on both end if not specific)

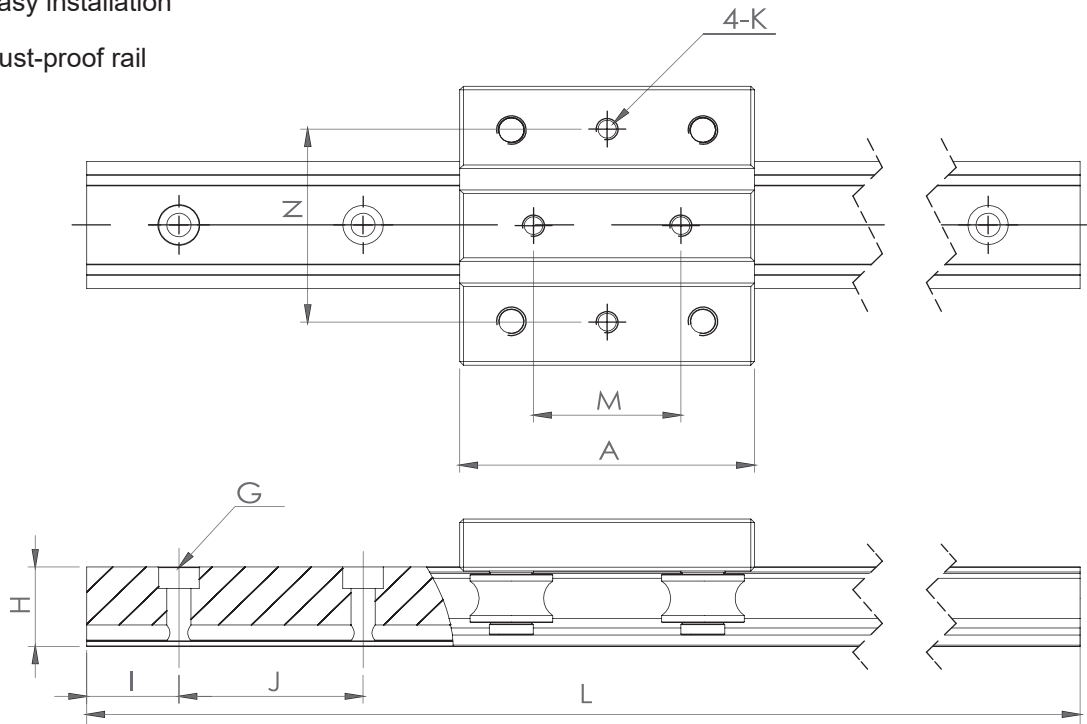


Unit : mm

Model No.	Dimensions					
	A	B	C	D	E	F
CRE12	78	35.5	34	14.5	24	36

## Features

- 1 Adjustable roller clearance on block
- 2 Low noise
- 3 Lubrication not required
- 4 Easy installation
- 5 Rust-proof rail



Unit : mm

Model No.	Dimensions							
	G	H	I	J	K	L	M	N
CRE12	ø7xø10x6	22	1/2J	50	M6	100-4000	40	54

**Note:** I value will be 1/2 J or evenly spaced on both end if not specific.

Model No.	Basic Load Rating (kgf)		Static Moment Load (kgf-m)			Weight	
	C	C <sub>0</sub>	M <sub>x</sub>	M <sub>y</sub>	M <sub>z</sub>	Block (kg)	Rail (kg/m)
CRE12	200	400	3.6	4.9	4.3	0.35	3

Standard

Ball Caged

Miniature

Cam Roller

Round Shaft

Ball Screw

Support Unit

Self-lubricated Linear Bearing

Linear Guide

Ball Screw

Other components