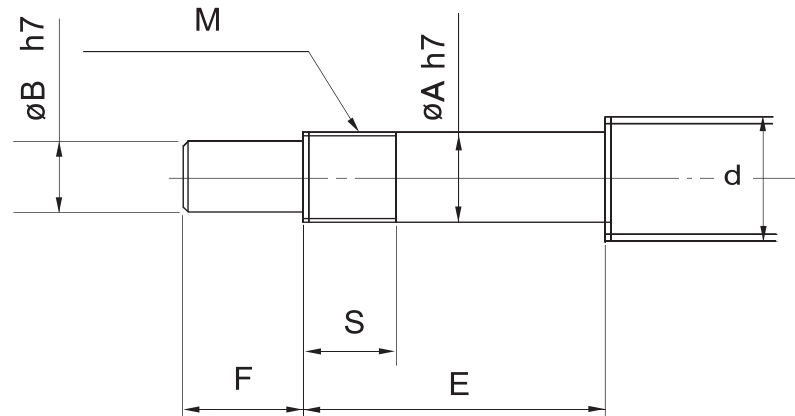


7

Support Unit



7.1 Recommended Shaft End Shape(Fixed side) - BK.FK.EK

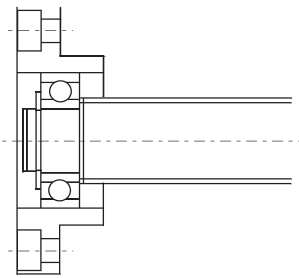


Unit : mm

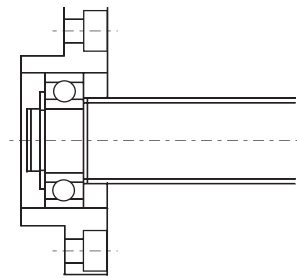
Model No.	Ball Screw shaft OD	Shaft Support Portion OD				Metric screw thread	
BK (Type BK)	d	A	B	E	F	M	S
BK 10	12/14/15	10	8	36	15	M10X1	12
BK 12	14/15/16	12	10	36	15	M12X1	12
BK 15	18/20	15	12	40	20	M15X1	12
BK 17	20/25	17	15	53	23	M17X1	17
BK 20	25/28	20	17	53	25	M20X1	15
BK 25	32/36	25	20	66	30	M25X1.5	20
BK 30	36/40	30	25	73	38	M30X1.5	25
BK 35	45	35	30	82	45	M35X1.5	26
BK 40	50	40	35	94	50	M40X1.5	30

Model No.		Ball Screw shaft OD	Shaft Support Portion OD				Metric screw thread	
Type FK	Type EK	d	A	B	E	F	M	S
FK 06	EK 06	8	6	4	28	8	M6X0.75	8
FK 08	EK 08	10/12	8	6	32	9	M8X1	10
FK 10	EK 10	12/14/15	10	8	36	15	M10X1	12
FK 12	EK 12	14/15/16	12	10	36	15	M12X1	12
FK 15	EK 15	18/20	15	12	48	20	M15X1	13
FK 17	–	20/25	17	15	59	23	M17X1	17
FK 20	EK 20	25/28/30	20	17	64	25	M20X1	16
FK 25	–	30/32/36	25	20	76	30	M25X1.5	20
FK 30	–	36/40	30	25	73	38	M30X1.5	25

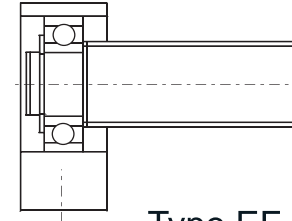
7.2 Recommended Shaft End Shape (Floated side) - FF.EF.BF



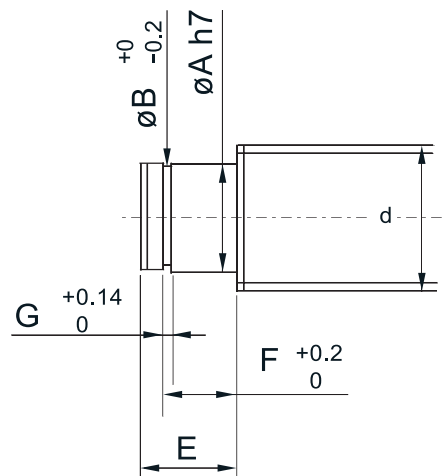
Type FF



Type FF



Type EF
Type BF



Unit : mm

Model No.	Ball Screw shaft OD	Shaft Support Portion OD		Snap-ring Groove		
Type: FF/EF/BF	d	A	E	B	F	G
FF/EF06	8	6	9	5.7	6.8	0.8
EF 08	10	6	9	5.7	6.8	0.8
FF/EF/BF10	12/14/15	8	10	7.6	7.9	0.9
FF/EF/BF12	14/15/16	10	11	9.6	9.15	1.15
FF/EF/BF15	18/20	15	13	14.3	10.15	1.15
FF/BF17	20/25	17	16	16.2	13.15	1.15
★FF/EF/BF20	25/28/30	20	19 (16)	19	15.35(13.35)	1.35
FF/BF 25	30/32/36	25	20	23.9	16.35	1.35
FF/BF 30	36/40	30	21	28.6	17.75	1.75
BF 35	40/45	35	22	33	18.75	1.75
BF 40	50	40	23	38	19.95	1.95

Note: () shows the dimension of BF20 which is different from those of type FF20 and EF20. When placing an order, always specify the model number of the Support Unit to be used.

Standard

Ball Caged

Miniature

Cam Roller

Round Shaft

Ball Screw

Support Unit

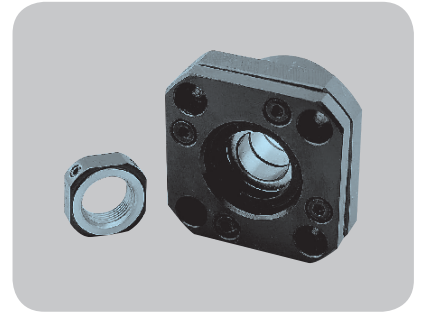
Self-lubricated Linear Bearing

Linear Guide

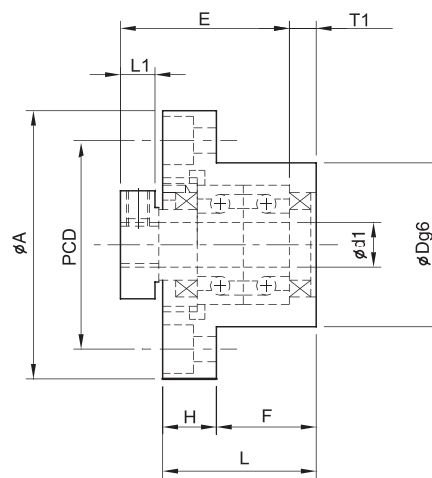
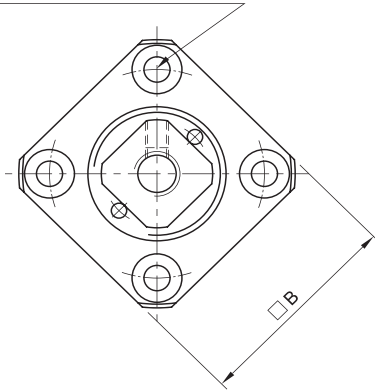
Ball Screw

Other components

7.3 FK (Fixed Side)



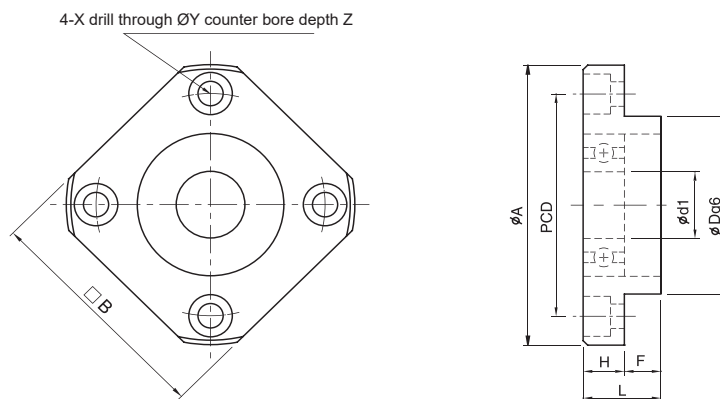
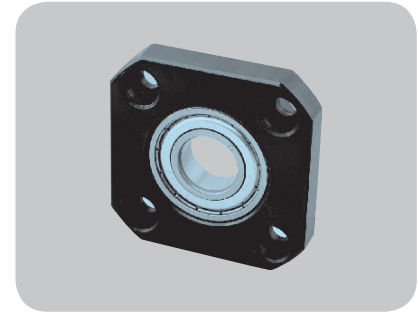
4-X drill through $\varnothing Y$ counter bore depth Z



Unit : mm

Model No.	d1	L	H	F	E	Dg6	A	PCD	B	L1	T1	L2	T2	X	Y	Z	M	T
FK 5	5	16.5	6	10.5	18.5	20	34	26	26	5.5	3.5	5	3	3.4	6.5	4	M3	11
FK 6	6	20	7	13	22	22	36	28	28	5.5	3.5	6.5	4.5	3.4	6.5	4	M3	12
FK 8	8	23	9	14	26	28	43	35	35	7	4	8	5	3.4	6.5	4	M3	14
FK 10	10	27	10	17	29.5	34	52	42	42	7.5	5	8.5	6	4.5	8	4	M3	16
FK 12	12	27	10	17	29.5	36	54	44	44	7.5	5	8.5	6	4.5	8	4	M4	19
FK 15	15	32	15	17	36	40	63	50	52	10	6	12	8	5.5	9.5	6	M4	22
FK 17	17	45	22	23	47	50	77	62	61	11	9	14	12	6.6	11	10	M4	24
FK 20	20	52	22	30	50	57	85	70	68	8	10	12	14	6.6	11	10	M4	30
FK 25	25	57	27	30	59	63	98	80	79	13	10	20	17	9	15	13	M5	35
FK 30	30	62	30	32	61	75	117	95	93	11	12	17	18	11	17.5	15	M6	40

7.4 FF (Floated side)



Unit : mm

Model No.	d1	L	H	F	Dg6	A	PCD	B	X	Y	Z
FF 06	6	10	64		22	36	28	28	3,46	.5	4
FF 10	8	12	7	5	28	43	35	35	3.4	6.5	4
FF 12	10	15	7	8	34	52	42	42	4.5	8	4
FF 15	15	17	9	8	40	63	50	52	5.5	9.5	5.5
FF 17	17	20	11	9	50	77	62	61	6.6	11	6.5
FF 20	20	20	11	9	57	85	70	68	6.6	11	6.5
FF 25	25	24	14	10	63	98	80	79	9	14	8.5
FF 30	30	27	18	9	75	117	95	93	11	17	11

Standard

Ball Caged

Miniature

Cam Roller

Round Shaft

Ball Screw

Support Unit

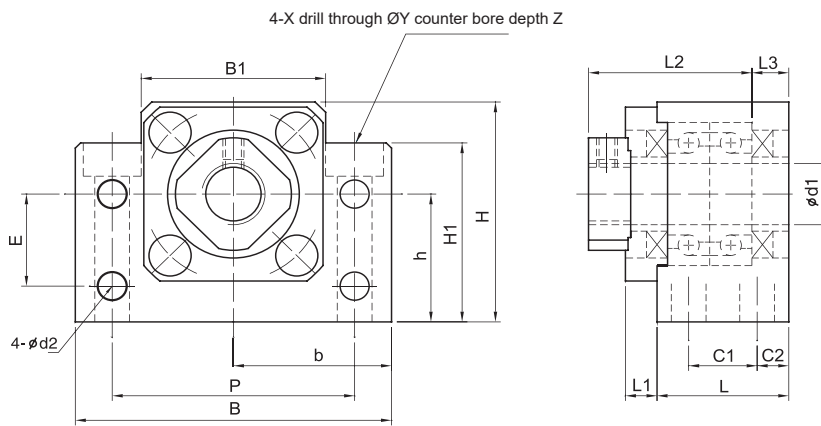
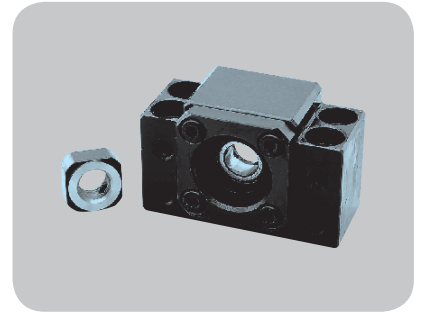
Self-lubricated Linear Bearing

Linear Guide

Ball Screw

Other components

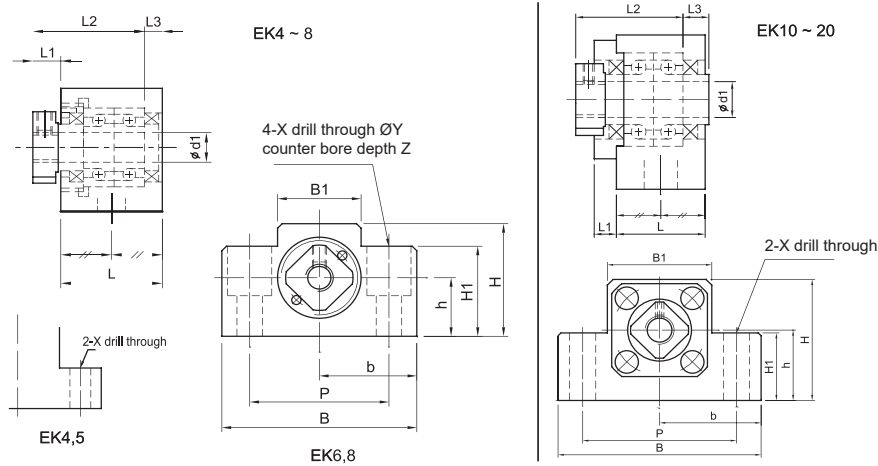
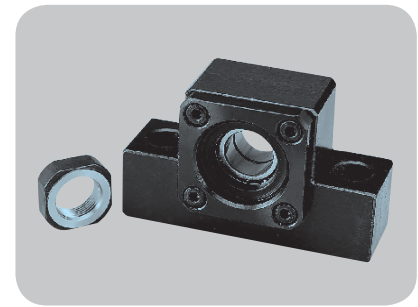
7.5 BK (Fixed Side)



Unit : mm

Model No.	d1	L	L1	L2	L3	C1	C2	B	H	b ^{±0.02}	h ^{±0.02}	B1	H1	E	P	d2	X	Y	Z	M	T
BK 10	10	25	5	29.5	5	13	6	60	39	30	22	34	32.5	15	46	5.5	6.6	10.8	5	M4	16
BK 12	12	25	5	29.5	5	13	6	60	43	30	25	34	32.5	18	46	5.5	6.6	10.8	1.5	M4	19
BK 15	15	27	6	32	6	15	6	70	48	35	28	40	38	18	54	5.5	6.6	11	6.5	M3	22
BK 17	17	35	9	44	7	19	8	86	64	43	39	50	55	28	68	6.6	9	14	8.5	M4	24
BK 20	20	35	8	43	8	19	8	88	60	44	34	52	50	22	70	6.6	9	14	8.5	M4	30
BK 25	25	42	12	54	9	22	10	106	80	53	48	64	70	33	85	9	11	17	11	M5	35
BK 30	30	45	14	61	9	23	11	128	89	64	51	76	78	33	102	11	14	20	13	M6	40
BK 35	35	50	14	67	12	26	12	140	96	70	52	88	79	35	114	11	14	20	13	M8	50
BK 40	40	61	18	76	15	33	14	160	110	80	60	100	90	37	130	14	18	26	17.5	M8	50

7.6 EK (Fixed Side)



Unit : mm

Model No.	d1	L	L1	L2	L3	B	H	b ^{+0.02}	h ^{+0.02}	B1	H1	P	X	Y	Z	M	T
EK 05	5	16.5	5.5	18.5	3.5	36	21	18	11	20	8	28	4.5	—	—	M3	11
EK 06	6	20	5.5	22	3.5	42	25	21	13	18	20	30	5.5	9.5	11	M3	12
EK 08	8	23	7	26	4	52	32	26	17	25	26	38	6.6	11	12	M3	14
EK 10	10	24	6	29.5	6	70	43	35	25	36	24	52	9	—	—	M3	16
EK 12	12	24	6	29.5	6	70	43	35	25	36	24	52	9	—	—	M4	19
EK 15	15	25	6	36	5	80	49	40	30	41	25	60	11	—	—	M4	22
EK 20	20	42	10	50	10	95	58	47.5	30	56	25	75	11	—	—	M4	30

Standard

Ball Caged

Miniature

Cam Roller

Round Shaft

Ball Screw

Support Unit

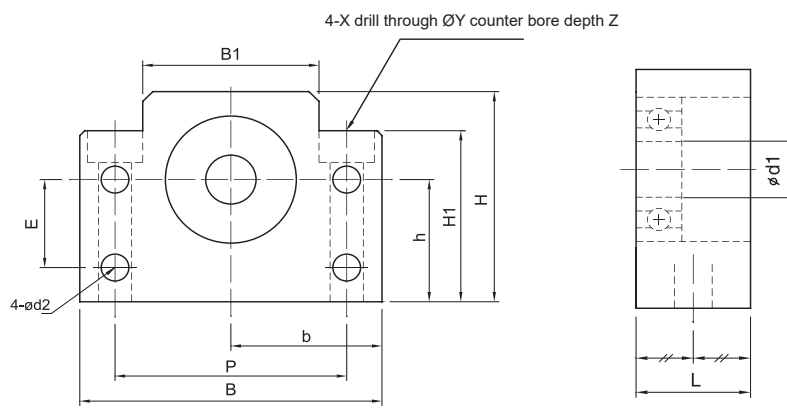
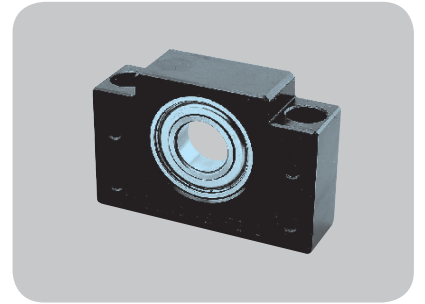
Self-lubricated Linear Bearing

Linear Guide

Ball Screw

Other components

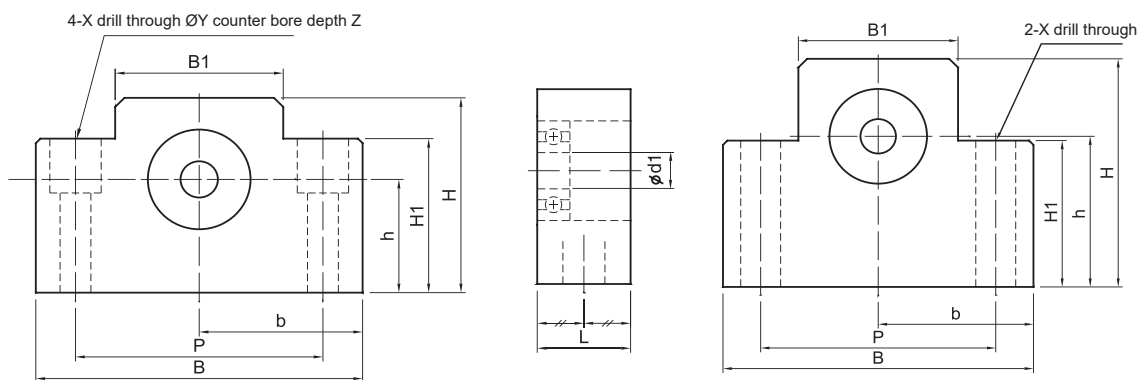
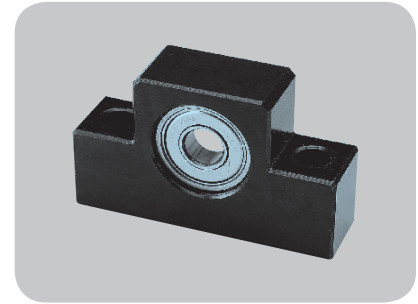
7.7 BF (Floated Side)



Unit : mm

Model No.	$d1$	L	B	H	$b^{\pm 0.02}$	$h^{+0.02}$	$B1$	$H1$	E	P	$d2$	X	Y	Z
BF 10	8	20	60	39	30	22	34	32.5	15	46	5.5	6.6	10.8	5
BF 12	10	20	60	43	30	25	34	32.5	18	46	5.5	6.6	10.8	1.5
BF 15	15	20	70	48	35	28	40	38	18	54	5.5	6.6	11	6.5
BF 17	17	23	86	64	43	39	50	55	28	68	6.6	9	14	8.5
BF 20	20	26	88	60	44	34	52	50	22	70	6.6	9	14	8.5
BF 25	25	30	106	80	53	48	64	70	33	85	9	11	17	11
BF 30	30	32	128	89	64	51	76	78	33	102	11	14	20	13
BF 35	35	32	140	96	70	52	88	79	35	114	11	14	20	13
BF 40	40	37	160	110	80	60	100	90	37	130	14	18	26	17.5

7.8 EF (Floated side)



EF6, 8

EF10 ~ 20

Unit : mm

Model No.	d1	L	B	H	b ^{+0.02}	h ^{+0.02}	B1	H1	P	X	Y	Z
EF 06	6	12	42	25	21	13	18	20	30	5.5	9.5	11
EF 08	6	14	52	32	26	17	25	26	38	6.6	11	12
EF 10	8	20	70	43	35	25	36	24	52	9	-	-
EF 12	10	20	70	43	35	25	36	24	52	9	-	-
EF 15	15	20	80	49	40	30	41	25	60	9	-	-
EF 20	20	26	95	58	47.5	30	56	25	75	11	-	-

Standard

Ball Caged

Miniature

Cam Roller

Round Shaft

Ball Screw

Support Unit

Self-lubricated Linear Bearing

Linear Guide

Ball Screw

Other components